

VelCut

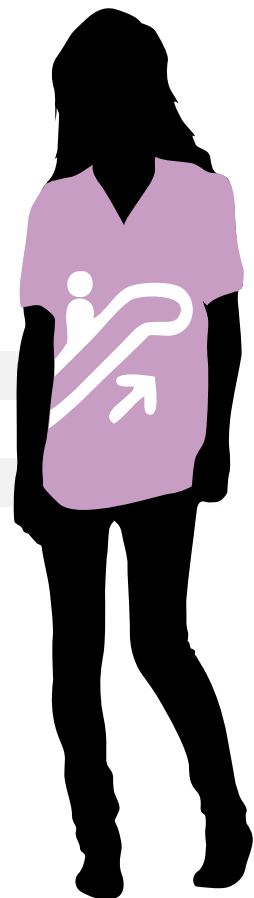
HEAT TRANSFER FLOCK FILM



VelCut EVO is a high-quality flock film for plotter cutting with a heat activated adhesive. VelCut flock brings a unique look with a velvet feel. VelCut EVO cuts and weeds easily like flex materials.

Our new **VelCut Premium Neon** offers a premium feel with our highest quality flock material. VelCut Premium withstands the most severe exposure. Most commonly used for athletic applications. *Additional colors available upon request.*

Fashion VelCut offers a unique graphic look with a soft surface. These new heat applied films are stretchable and easy to cut and weed. *Ask your supplier for availability.*

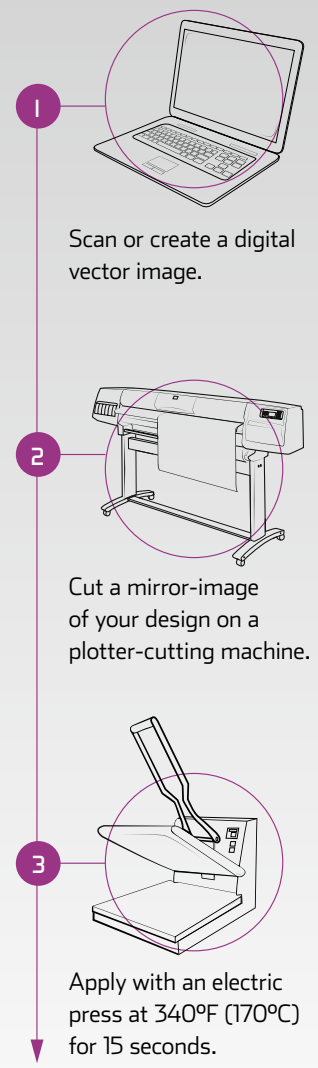


COMPOSITION

	VelCut Evo	VelCut Premium
Base	Hotmelt Film	Hotmelt Film
Adhesive	Synthetic Resin	Synthetic Resin
Flock	Rayon Viscose	Nylon

APPLICATION INFORMATION

- Application to cotton, poly/cotton, polyester
- Washing fastness up to 140°F (60°C)
- Transfers to cloth 15-17 seconds
320-340°F (160-170 °C)
Low / medium pressure



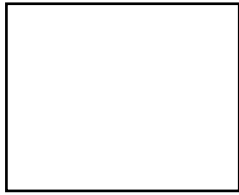
RTape Corporation
 6 Ingersoll Road
 South Plainfield, NJ 07080
 T 1-800-440-1250
 F 1-908-753-5014
 T 1-908-753-5570
 www.rtape.com
 sales@rtape.com



Manufacturing processes and related products are protected by existing patents: FR 97 12921; EUR 98 402 542.9; US 6.224.707; FR 98 12862; EUR 99 402 398.4; US 6.249.297; FR 04 08625; FR 05 05379; FR 05 05380. International extensions and new applications pending.

VelCut

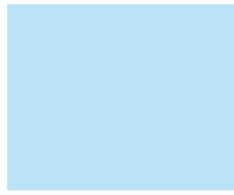
HEAT TRANSFER FLOCK FILM



WHITE 01



ORANGE 12



SKY BLUE 15



COOL GREY 11



BEIGE 16



ELECTRIC RED 04



PACIFIC BLUE 08



BLACK 06



LEMON YELLOW 02



RED 05



ROYAL BLUE 09



CHOCOLATE 14



SUNNY YELLOW 03



FUCHSIA 13



NAVY BLUE 07



GREEN 10



NEON YELLOW



NEON GREEN



NEON PINK



NEON ORANGE

VelCut Evo

VelCut Premium